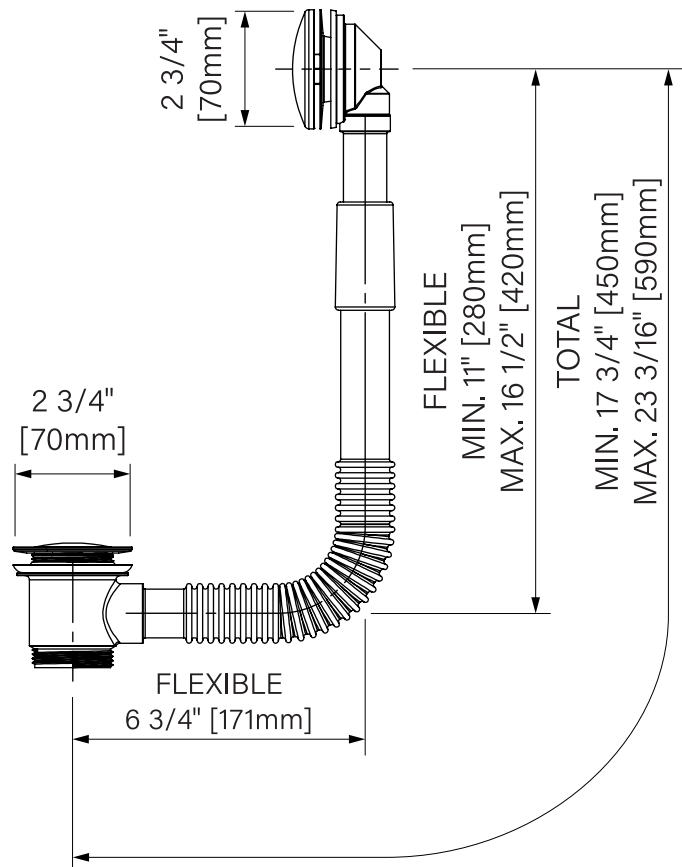


Waste and overflow *Drain et trop plein*



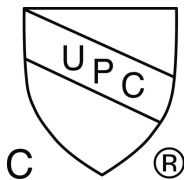
Overflow hole
Trou de trop-plein
MIN. 2 3/8" [60mm]
MAX. 2 7/16" [62mm]

Drain hole
Trou de drain
MIN. 2 1/8" [54mm]
MAX. 2 3/16" [56mm]



- Standard 1-1/2"
- Chromed brass caps
- Seals included

- Standard 1-1/2"
- *Laiton chromé*
- *Joints inclus*



The dimensions are subject to manufacturer's tolerance and may change without notice.
Les dimensions sont soumises à des tolérances de fabrication et peuvent changer sans préavis.

