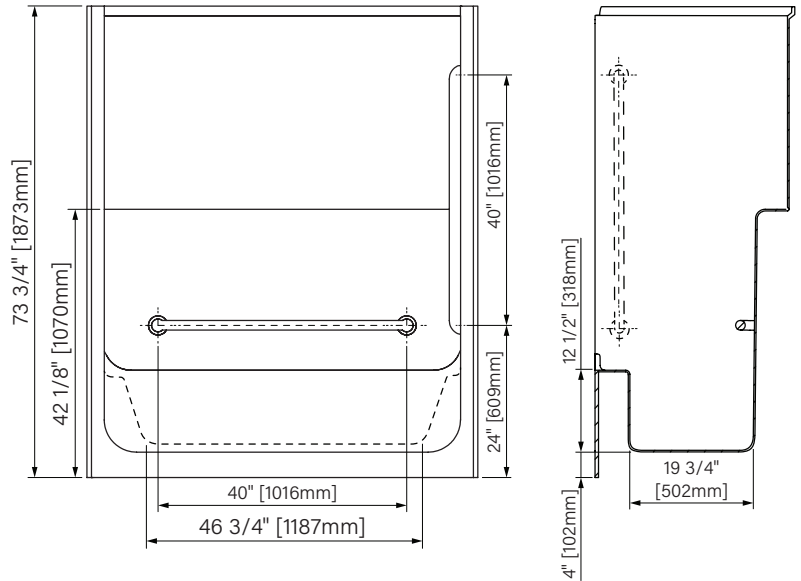
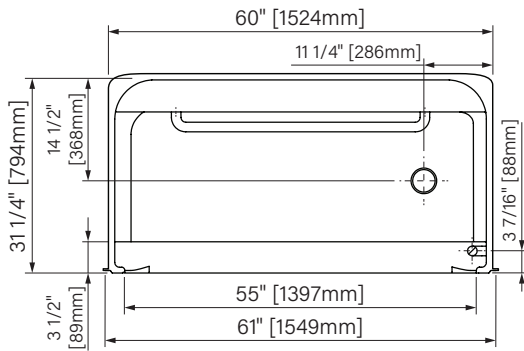


OPS 5530 / DOMELESS COMMERCIAL TUB & SHOWER COMBO

SBCO5530AADLZWTUB & SHOWER COMBO

SBCO5530AADRZWTUB & SHOWER COMBO



- ANSI Z124.2
- CSA B45.5 94 / B45-94
- ASTM E 84 / ULC S 102
- Meets requirements for Universal Plumbing Code administrated by: IAPMO, HUD, BOCA, and NAHB

• NOTE: Backing & bolts for fold-up seat may add up to 3/4" to overall dimensions.

STANDARD :

- Color : white
- 1 x Horizontal Straight 40" x 1 1/4" peened S.S. grab bar : **OOP233** (factory installed)
- 1 x Vertical / Straight 40" x 1 1/4" peened S.S. grab bar : **OOP233** (factory installed)
- 1 x Molded soap tray.
- **OD: 61" x 31 1/4" x 73 3/4" (1549mm x 794mm x 1873mm)**

Note: Dimensions may vary within normal manufacturing tolerances +/- 3/16".

OPTIONS:

- | | |
|---|---|
| <input type="checkbox"/> HD White phenolic flip-up seat 15" x 28" : OOP225 | <input type="checkbox"/> Straight 12" x 1 1/4" peened S.S. grab bar : OOP211 (factory installed) |
| <input type="checkbox"/> Anti-Bacterial shower curtain / hooks : OOP227 | <input type="checkbox"/> Straight 18" x 1 1/4" peened S.S. grab bar : OOP212 (factory installed) |
| <input type="checkbox"/> 1" S.S. curtain rod : OOP222 (factory installed) | <input type="checkbox"/> Straight 24" x 1 1/4" peened S.S. grab bar : OOP213 (factory installed) |
| <input type="checkbox"/> LED Dome light : OOP228 | <input type="checkbox"/> Straight 30" x 1 1/4" peened S.S. grab bar : OOP214 (factory installed) |
| <input type="checkbox"/> Pre-Drilled hole to fit OOP228 dome light : OOP320 | <input type="checkbox"/> Straight 36" x 1 1/4" peened S.S. grab bar : OOP232 (factory installed) |
| <input type="checkbox"/> Forward Flange adapter (consult factory) : OOP408 | |
| <input type="checkbox"/> Waste & overflow C.P. : ACC00004 | |

JOB:

Plumber/Contractor:

Architect:

Engineer:

Modifications:

Received and/or Approved by: