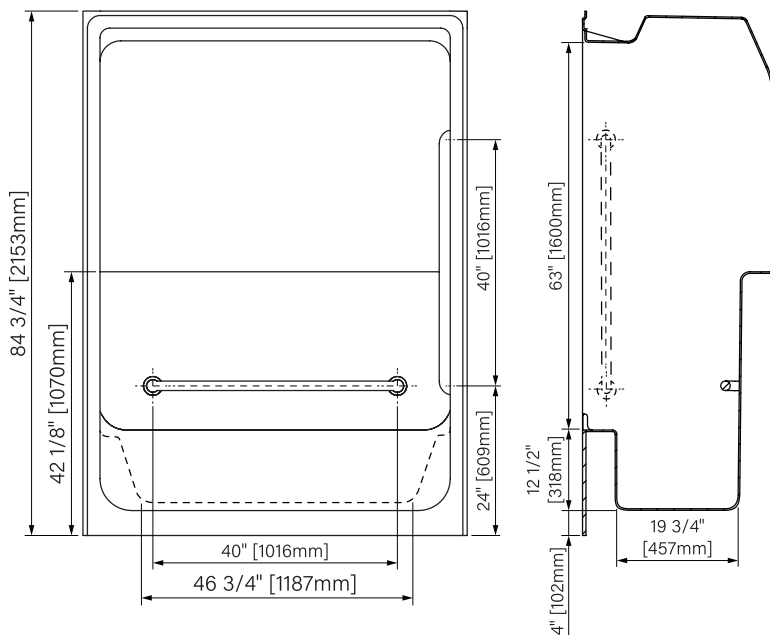
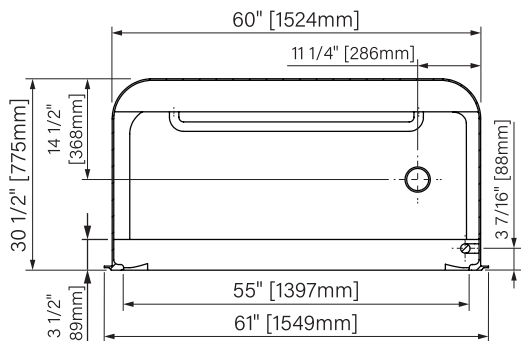


SBCO5530AADLTW TUB & SHOWER COMBO

SBCO5530AADRTW TUB & SHOWER COMBO



- ANSI Z124.2
- CSA B45.5 94 / B45-94
- ASTM E 84 / ULC S 102
- Meets requirements for Universal Plumbing Code administrated by: IAPMO, HUD, BOCA, and NAHB

• NOTE: Backing & bolts for fold-up seat may add up to 3/4" to overall dimensions.

## STANDARD :

- Color : white
- 1 x Horizontal Straight 40" x 1 1/4" peened S.S. grab bar : **OOP233** ( factory installed )
- 1 x Vertical / Straight 40" x 1 1/4" peened S.S. grab bar : **OOP233** ( factory installed )
- 1 x Molded soap tray.
- **OD: 61" x 30 1/2" x 84 3/4" ( 1549mm x 775mm x 2153mm )**

Note: Dimensions may vary within normal manufacturing tolerances +/- 1/8".

## OPTIONS:

- |   |   |
|---|---|
| <input type="checkbox"/> HD White phenolic flip-up seat 15" x 28" : <b>OOP225</b>   | <input type="checkbox"/> Straight 12" x 1 1/4" peened S.S. grab bar : <b>OOP211</b> ( factory installed ) |
| <input type="checkbox"/> Anti-Bacterial shower curtain / hooks : <b>OOP227</b>      | <input type="checkbox"/> Straight 18" x 1 1/4" peened S.S. grab bar : <b>OOP212</b> ( factory installed ) |
| <input type="checkbox"/> 1" S.S. curtain rod : <b>OOP222</b> ( factory installed )  | <input type="checkbox"/> Straight 24" x 1 1/4" peened S.S. grab bar : <b>OOP213</b> ( factory installed ) |
| <input type="checkbox"/> LED Dome light : <b>OOP228</b>                             | <input type="checkbox"/> Straight 30" x 1 1/4" peened S.S. grab bar : <b>OOP214</b> ( factory installed ) |
| <input type="checkbox"/> Pre-Drilled hole to fit OOP228 dome light : <b>OOP320</b>  | <input type="checkbox"/> Straight 36" x 1 1/4" peened S.S. grab bar : <b>OOP232</b> ( factory installed ) |
| <input type="checkbox"/> Forward Flange adapter ( consult factory ) : <b>OOP408</b> |   |
| <input type="checkbox"/> Waste & overflow C.P. : <b>ACC00004</b>                    |   |

JOB:

Plumber/Contractor:

Architect:

Engineer:

Modifications:

Received and/or Approved by: