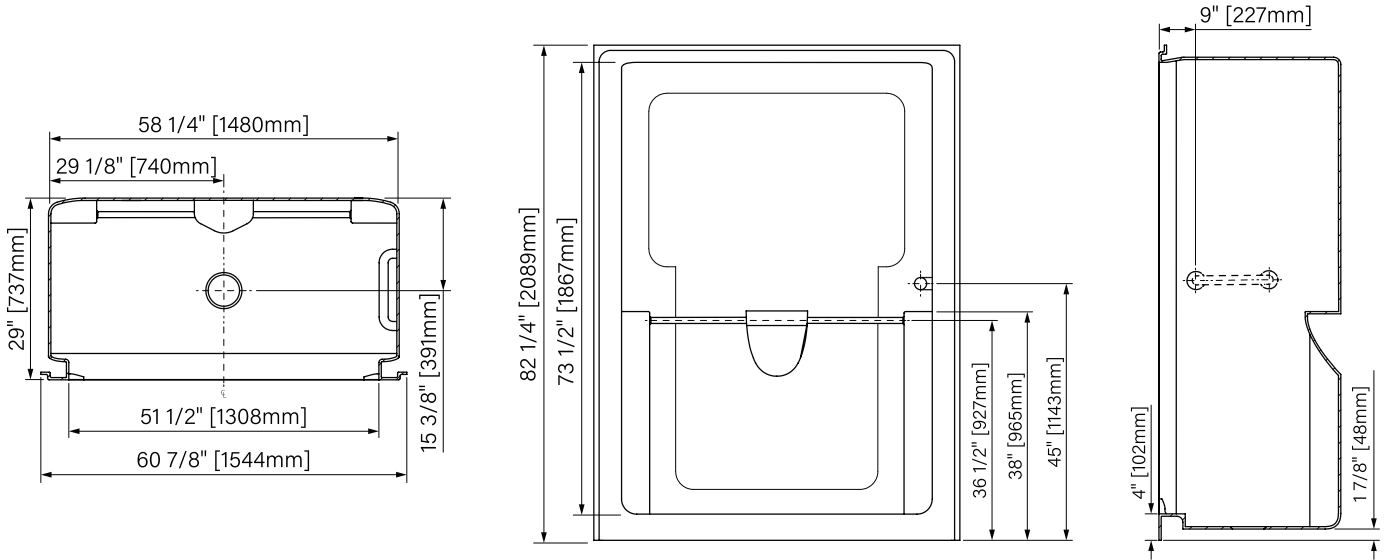


OPS 5229/ COMMERCIAL SHOWER STALL

- SHCO5229AABLTW 4" L/H GRAB BAR SHCO5229AABRTW 4" R/H GRAB BAR
- SHCO5229AABLWSR 4" L/H GRAB BAR - R/H SEAT
- SHCO5229AABRTWSL 4" R/H GRAB BAR - L/H SEAT



- ANSI Z124.2
- CSA B45.5 94 / B45-94
- ASTM E 84 / ULC S 102
- Meets requirements for Universal Plumbing Code administrated by: IAPMO, HUD, BOCA, and NAHB

• NOTE: Backing & bolts for fold-up seat may add up to 3/4" to overall dimensions.

STANDARD :

- Color : white
- 1 x Horizontal Straight 12" x 1 1/4" peened S.S. grab bar : **OOP211** (factory installed)
- 1 x S.S. towel bar (factory installed)
- 3 x Molded soap trays.
- L/H or R/H seat or without seat.
- **OD: 60 7/8" x 29" x 82 1/4" (1544mm x 737mm x 2089mm)**

Note: Dimensions may vary within normal manufacturing tolerances +/- 1/8".

OPTIONS:

- HD White phenolic FUS 16" reversible : **OOP224**
- FUS conversion package : **OOP169** (less seat)
- Anti-Bacterial shower curtain / hooks : **OOP227**
- 1" S.S. curtain rod : **OOP222** (factory installed)
- LED Dome light : **OOP228**
- Pre-Drilled hole to fit OOP228 dome light : **OOP320**
- Brass shower drain : **OOP304**
- Forward Flange adapter (consult factory) : **OOP408**
- Straight 18" x 1 1/4" peened S.S. grab bar : **OOP212** (factory installed)
- Straight 24" x 1 1/4" peened S.S. grab bar : **OOP213** (factory installed)
- Straight 30" x 1 1/4" peened S.S. grab bar : **OOP214** (factory installed)
- Straight 36" x 1 1/4" peened S.S. grab bar : **OOP232** (factory installed)
- Straight 40" x 1 1/4" peened S.S. grab bar : **OOP233** (factory installed)

JOB:

Plumber/Contractor:

Architect:

Engineer:

Modifications:

Received and/or Approved by: