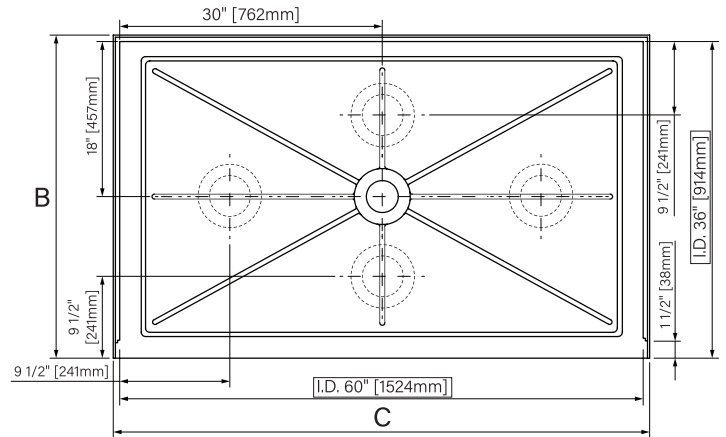


Variable dimensions

	1/2"	3/4"	1"	1 1/4"
A	13mm	19mm	25mm	32mm
B	36 3/4"	37"	37 1/4"	37 1/2"
C	61 1/2"	62"	62 1/2"	63"
	1562mm	1575mm	1588mm	1600mm



- ANSI 124.2
- CSA B45.5 94 / B45-94

- Barrier free for ADA compliant installations

Note: Dimensions may vary within normal manufacturing tolerances + /- 1/4".

** various receiving flange available , specify at time of order.

Drain Included:

- B6036HCA51A - 3/4" Threshold / receiving flange 1/2" / Center drain
- B6036HCA61A - 3/4" Threshold / receiving flange 1/2" / R-H drain
- B6036HCA41A - 3/4" Threshold / receiving flange 1/2" / L-H drain
- B6036HCA81A - 3/4" Threshold / receiving flange 1/2" / FRONT drain
- B6036HCA21A - 3/4" Threshold / receiving flange 1/2" / BACK drain
- B6036HCA51B - 3/4" Threshold / receiving flange 3/4" / Center drain
- B6036HCA61B - 3/4" Threshold / receiving flange 3/4" / R-H drain
- B6036HCA41B - 3/4" Threshold / receiving flange 3/4" / L-H drain
- B6036HCA81B - 3/4" Threshold / receiving flange 3/4" / FRONT drain
- B6036HCA21B - 3/4" Threshold / receiving flange 3/4" / BACK drain
- B6036HCA51C - 3/4" Threshold / receiving flange 1" / Center drain
- B6036HCA61C - 3/4" Threshold / receiving flange 1" / R-H drain
- B6036HCA41C - 3/4" Threshold / receiving flange 1" / L-H drain
- B6036HCA81C - 3/4" Threshold / receiving flange 1" / FRONT drain
- B6036HCA21C - 3/4" Threshold / receiving flange 1" / BACK drain
- B6036HCA51D - 3/4" Threshold / receiving flange 1 1/4" / Center drain
- B6036HCA61D - 3/4" Threshold / receiving flange 1 1/4" / R-H drain
- B6036HCA41D - 3/4" Threshold / receiving flange 1 1/4" / L-H drain
- B6036HCA81D - 3/4" Threshold / receiving flange 1 1/4" / FRONT drain
- B6036HCA21D - 3/4" Threshold / receiving flange 1 1/4" / BACK drain

JOB:

Plumber/Contractor:

Architect:

Engineer:

Modifications:

Received and/or Approved by: