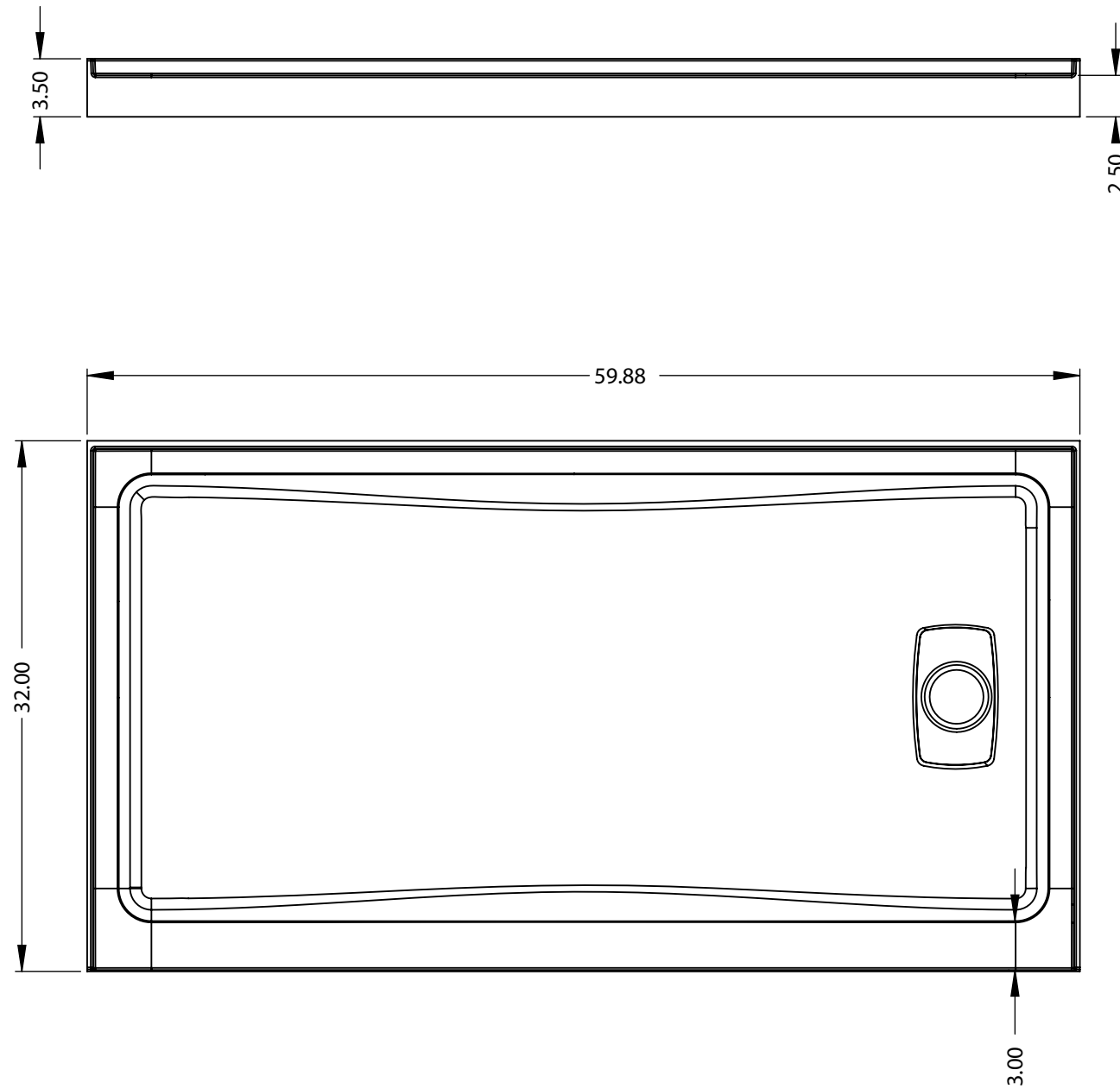


60 X 32 SHOWER BASE LEFT DRAIN

NOTES:

1. ALL DIMENSIONS ARE APPROXIMATE (TOLERANCE: 0.25"/6.4mm). DIMENSIONS SUBJECT TO CHANGE WITHOUT PRIOR NOTICE.
2. MOULDED ACRYLIC WITH FIBERGLASS REINFORCEMENT
3. CHROME DRAIN AND WASTE AND OVERFLOW SUPPLIED WITH TUB
4. ACCESS PANEL LOCATED ON BACK OF UNIT

THE INFORMATION CONTAINED IN THIS DRAWING IS THE SOLE PROPERTY OF ACRYLINE. ANY REPRODUCTION IN PART OR AS A WHOLE WITHOUT THE WRITTEN PERMISSION OF ACRYLINE IS PROHIBITED.



60 X 32 SHOWER BASE RIGHT DRAIN

NOTES:

1. ALL DIMENSIONS ARE APPROXIMATE (TOLERANCE: 0.25"/6.4mm). DIMENSIONS SUBJECT TO CHANGE WITHOUT PRIOR NOTICE.
2. MOULDED ACRYLIC WITH FIBERGLASS REINFORCEMENT
3. CHROME DRAIN AND WASTE AND OVERFLOW SUPPLIED WITH TUB
4. ACCESS PANEL LOCATED ON BACK OF UNIT

THE INFORMATION CONTAINED IN THIS DRAWING IS THE SOLE PROPERTY OF ACRYLINE. ANY REPRODUCTION IN PART OR AS A WHOLE WITHOUT THE WRITTEN PERMISSION OF ACRYLINE IS PROHIBITED.