

NIRVANA

71⁷/₈" X 41³/₄" X 20¹/₂"

50 US Gallons



Corner - Fixed Integral Apron W/Access Panel

Available In Left (L) Or Right (R) Hand Drain

Integrally Molded Tiling Flange

White or Biscuit

With Armrests

57 Channel Air Jets & 12 Injector Air Jets

Heated Headrest (when equipped with air system)

Lumbar Support

Adjustable (Leveling) Legs

ENCORE COLLECTION MODELS

TRUE DRAIN® AIR CHANNEL

NIRV01 with Heated Back/Headrest



INJECTOR AIR

NIRV04 with Heated Headrest



ULTIMATE COMBO

NIRV06 with Heated Back/Headrest



CLASSIC COLLECTION MODELS

SOAKER BATH

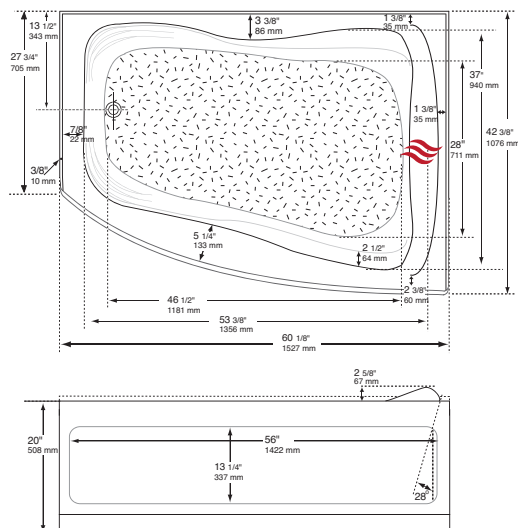
NIRVRR

CLASSIC TRUE DRAIN® CHANNEL

NIRV09 with Heated Back/Headrest



ARCHITECTURAL SPECIFICATIONS



ACCESSORY UPGRADES

REMOTE CONTROL

With True Drain® Air Channel or Injector System
(not applicable for Ultimate Combo)

KEYPAD TRIM(S) (does not apply to remote control)

White / Biscuit

INCLUDED

Chrome (N/A for Classic Collection models)

Brushed Nickel (N/A for Classic Collection models)

INJECTOR TRIM(S) (for Injector and Ultimate Combo Air System)

Standard White or Biscuit

INCLUDED

Standard Chrome or Brushed Nickel

Mini Chrome/White or Brushed Nickel/White

CHROMOTHERAPY

4 LED Chromotherapy Lights

2 LED Chromotherapy Lights

PILLOW

Extra Soft Pillow (Magnetized) *Available in white, black & gray.

GRAB BARS: AVAILABLE WITH 1 or 2 (please specify side if ordering 1 grab bar)

8" Acrylic Grab Bar

DRAIN & OVERFLOW

Chrome

Brushed Nickel

FAUCETS (see page 103)

Soto Wallmount Tub Filler With Handshower - Chrome

RELOCATION OPTIONS

Included with the bath is the hardware required to instal the blower in a remote location up to 12 feet away.