



# PRIMA 6036

73

60" X 36" X 20½"

43 US Gallons



- Alcove // Drop-In // Undermount
- White or Biscuit
- With Armrests
- 49 Channel Air Jets & 12 Injector Air Jets
- Heated Headrest (when equipped with air system)
- Lumbar Support
- Adjustable (Leveling) Legs

## ACCESSORY UPGRADES

### TILING FLANGE

- Integrally Molded Tiling Flange  
Confirm On Drawing Left (L) Or Right (R) Hand Drain At Time Of Ordering
- P.V.C. Tiling Flange (Field Installation Required)
- Fiberglass Tiling Flange (Factory Installed)

### APRON

- Rectangular - Field Installation Required #SKTRCT
- EZ-Access Rectangular - Factory Installed #SKTEZA

### REMOTE CONTROL

- With True Drain® Air Channel or Injector System  
(not applicable for Ultimate Combo)

### KEYPAD TRIM(S) (does not apply to remote control)

- White / Biscuit INCLUDED
- Chrome (N/A for Classic Collection models)
- Brushed Nickel (N/A for Classic Collection models)

### INJECTOR TRIM(S) (for Injector and Ultimate Combo Air System)

- Standard White or Biscuit INCLUDED
- Standard Chrome or Brushed Nickel
- Mini Chrome/White or Brushed Nickel/White

### CHROMOTHERAPY

- 4 LED Chromotherapy Lights
- 2 LED Chromotherapy Lights

### PILLOW

- Extra Soft Pillow (Magnetized) \*Available in white, black & gray.

### GRAB BARS: AVAILABLE WITH 1 or 2 (please specify side if ordering 1 grab bar)

- 8" Acrylic Grab Bar

### DRAIN & OVERFLOW

- Chrome
- Brushed Nickel

### FAUCETS (see page 103)

- Soto Wallmount Tub Filler With Handshower - Chrome

## ENCORE COLLECTION MODELS

### TRUE DRAIN® AIR CHANNEL

PR6301 with Heated Back/Headrest



### INJECTOR AIR

PR6304 with Heated Headrest



### ULTIMATE COMBO

PR6306 with Heated Back/Headrest



## CLASSIC COLLECTION MODELS

### SOAKER BATH

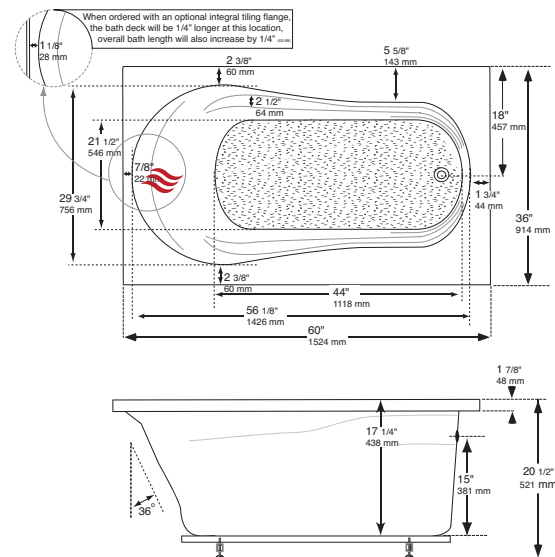
PR63RR

### CLASSIC TRUE DRAIN® CHANNEL

PR6309 with Heated Back/Headrest



## ARCHITECTURAL SPECIFICATIONS



### AXIS SHOWER DOOR (see page 95)

- 3/8" Clear Glass – Chrome Frame
- 66" High – Fits a 57"-59" Opening

### RELOCATION OPTIONS

Included with the bath is the hardware required to instal the blower in a remote location up to 12 feet away.