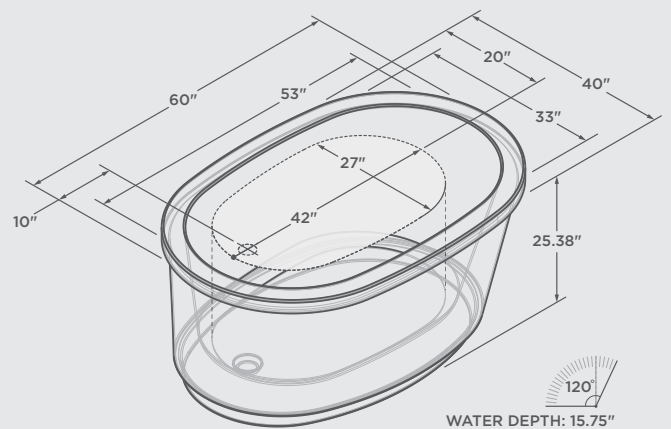




SIMPLICITY I FS


Acrylic freestanding bathtub

60" x 40" x 25³/₈"
 52 US Gallons – 197 Liters





SIMPLICITY I FS

60" x 40" x 25³/₈" (1524 x 1016 x 645mm)
52 US Gallons – 197 Liters

- Freestanding bathtub
- Reinforced acrylic construction in white gloss finish
- Smooth bottom
- Adjustable leveling legs
- Waste and overflow chrome included
- Heated headrest when equipped with an air system 
WITH ULTIMATE COMBO, HEATED HEADREST IS ON TRUE DRAIN™

CHOICES

- With or without armrest
- Deck: Flat, Rolled or Ogee
- Chromotherapy: 2 or 4 lights 
- Radiant heat optional with Soaker bathtub 



ENCORE SERIES

CODE

SOAKER BATHTUB ONLY

SIF1RR
2x  SIF1RR-C2
4x  SIF1RR-C4

SOAKER + RADIANT HEAT

SIF1RR-H
2x  SIF1RR-C2-H
4x  SIF1RR-C4-H

TRUE DRAIN™ AIR CHANNEL

SIF101
2x  SIF101-C2
4x  SIF101-C4

AIR INJECTOR

SIF104
2x  SIF104-C2
4x  SIF104-C4

ULTIMATE COMBO

SIF106
2x  SIF106-C2
4x  SIF106-C4

OPTIONS

REMOTE CONTROL FOR ENCORE SYSTEMS:
CHROMOTHERAPY, TRUE DRAIN™ OR AIR INJECTOR
(NOT AVAILABLE WITH ULTIMATE COMBO AND RADIANT HEAT)

KEYPAD FOR ULTIMATE COMBO SYSTEM OR RADIANT HEAT
Keypad trim - White
Keypad trim - Chrome or Brushed nickel

TRIM KIT LIGHTS AND INJECTORS
White trims
Light trims - Chrome or Brushed nickel
Injector caps - Chrome or Brushed nickel

ACRYLIC GRAB BAR
2x 8" Classic - White

PILLOW
Classic - Available in White or Black

12' RELOCATION KIT
*IT ALLOWS TO RELOCATE THE SYSTEM BLOWER(S) UP TO 12' OF THE TUB.

WASTE AND OVERFLOW
Chrome
Brushed nickel

DECK CHOICES AVAILABLE

FLAT



ROLLED



OGEE

