



VISION

65³/₄" X 42¹/₄" X 25³/₈"
63 US Gallons

- Drop-In
- White or Biscuit
- Center Drain
- With 4 Armrests
- 55 Channel Air Jets & 14 Injector Air Jets
- Heated Headrest (when equipped with air system)
- Lumbar Support
- Adjustable (Leveling) Legs

ACCESSORY UPGRADES

REMOTE CONTROL

With True Drain® Air Channel or Injector System
(not applicable for Ultimate Combo)

KEYPAD TRIM(S) (does not apply to remote control)

- White / Biscuit INCLUDED
- Chrome (N/A for Classic Collection models)
- Brushed Nickel (N/A for Classic Collection models)

INJECTOR TRIM(S) (for Injector and Ultimate Combo Air System)

- Standard White or Biscuit INCLUDED
- Standard Chrome or Brushed Nickel
- Mini Chrome/White or Brushed Nickel/White

CHROMOTHERAPY

- 4 LED Chromotherapy Lights
- 2 LED Chromotherapy Lights

PILLOW (please specify side if only ordering 1 pillow)

Extra Soft Pillow (Magnetized) *Available in white, black & gray.

GRAB BARS: AVAILABLE WITH 1 or 2 (please specify side if ordering 1 grab bar)

- 8" Acrylic Grab Bar
- 12" Acrylic Grab Bar

DRAIN & OVERFLOW

- Chrome
- Brushed Nickel

FAUCETS (see page 103)

Soto Wallmount Tub Filler With Handshower - Chrome

RELOCATION KIT (each kit allows for relocation of up to 12")

- Single System (Channel or Injector)
- Ultimate System

ENCORE COLLECTION MODELS

TRUE DRAIN® AIR CHANNEL
VISI01 with Heated Back/Headrest

INJECTOR AIR
VISI04 with Heated Headrest

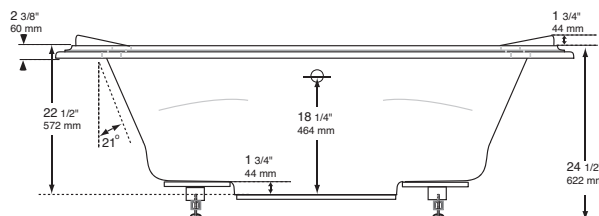
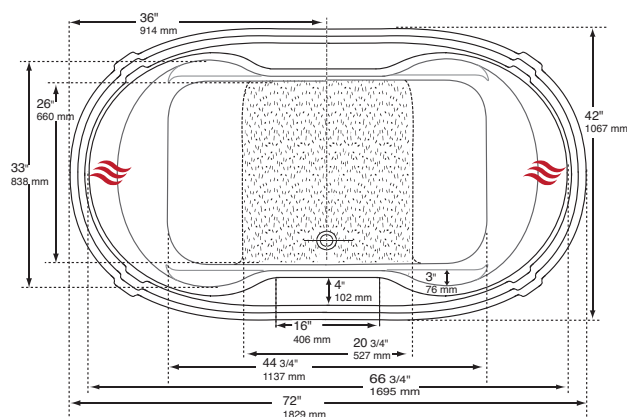
ULTIMATE COMBO
VISI06 with Heated Back/Headrests

CLASSIC COLLECTION MODELS

SOAKER BATH
VISIRR

CLASSIC TRUE DRAIN® CHANNEL
VISI09 with Heated Back/Headrest

ARCHITECTURAL SPECIFICATIONS



SUBLIME 5.5 FT. OVAL