

ACCENT II

59⁵/₈" X 31³/₄" X 20"

52 US Gallons



Alcove - Fixed Integral Skirt

Available in Left (L) or Right (R) Hand Drain

Integrally Molded Tiling Flange

White or Biscuit

57 Channel Air Jets & 12 Injector Air Jets

Heated Headrest (when equipped with air system)

Lumbar Support

Adjustable (Leveling) Legs

ENCORE COLLECTION MODELS

TRUE DRAIN® AIR CHANNEL

ACC201 with Heated Back/Headrest



INJECTOR AIR

ACC204 with Heated Headrest



ULTIMATE COMBO

ACC206 with Heated Back/Headrest



CLASSIC COLLECTION MODELS

SOAKER BATH

ACC2RR

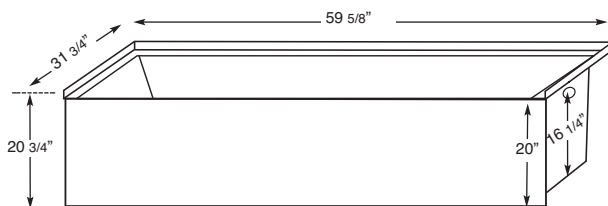
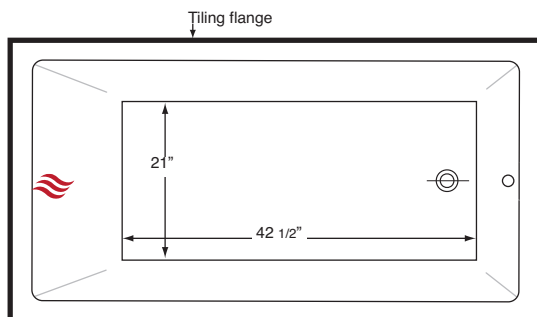
CLASSIC TRUE DRAIN® CHANNEL

ACC209 with Heated Back/Headrest



ZEN 5 FT. RECTANGULAR

ARCHITECTURAL SPECIFICATIONS



AXIS SHOWER DOOR (see page 95)

3/8" Clear Glass – Chrome Frame

66" High – Fits a 57"-59" Opening



ACCESSORY UPGRADES

ACCESS PANEL

Removable Acrylic Access Panel

REMOTE CONTROL

With True Drain® Air Channel or Injector System
(not applicable for Ultimate Combo)

KEYPAD TRIM(S) (does not apply to remote control)

White / Biscuit

INCLUDED

Chrome (N/A for Classic Collection models)

Brushed Nickel (N/A for Classic Collection models)

INJECTOR TRIM(S) (for Injector and Ultimate Combo Air System)

Standard White or Biscuit

INCLUDED

Standard Chrome or Brushed Nickel

Mini Chrome/White or Brushed Nickel/White

CHROMOTHERAPY

4 LED Chromotherapy Lights - square trim

2 LED Chromotherapy Lights - square trim

PILLOW

Zen Pillow

GRAB BARS: AVAILABLE WITH 1 or 2 (please specify side if ordering 1 grab bar)

8" ZEN Acrylic Grab bar - Color coordinated with bathtub

12" ZEN Acrylic Grab Bar - Color coordinated with bathtub

DRAIN & OVERFLOW

Chrome

Brushed Nickel

FAUCETS (see page 103)

Soto Wallmount Tub Filler With Handshower - Chrome

RELOCATION KIT (each kit allows for relocation of up to 12")

Single System (Channel or Injector)

Ultimate System