

INSTALLATION INSTRUCTIONS FOR SEMI-PERMANENT THRESHOLD (SPT)

Always store SPT flat in a warm dry area. Avoid excess heat and freezing.

INSTRUCTIONS

- 1** : Determine Position of SPT.(see fig. 1).
- 2** : Clean threshold lip where SPT is to be installed with rubbing alcohol or equal solvent.
- 3** : Carefully peel the protective covering off SPT (see fig. 2) and press down into place.
- 4** : Caulk inside and outside seem of SPT with silicone caulking equal to "GE SILICONE II" (see fig. 3).
- 5** : Allow SPT to sit overnight before turning water on.(see fig. 4)

FIGURE 1

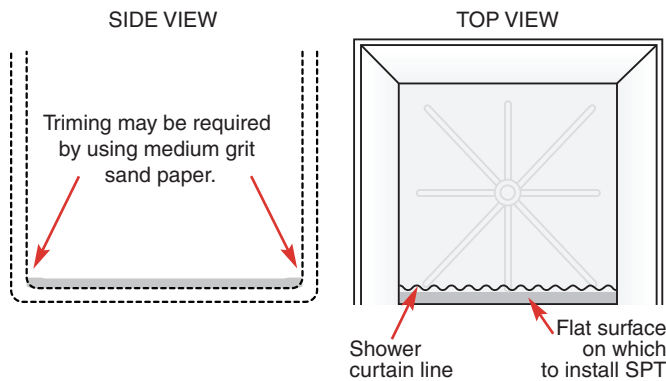


FIGURE 2

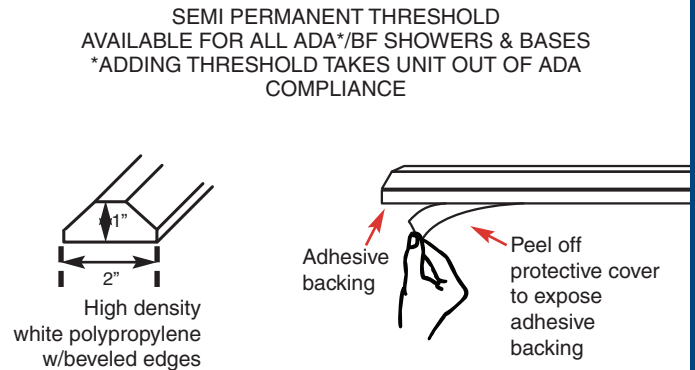


FIGURE 3

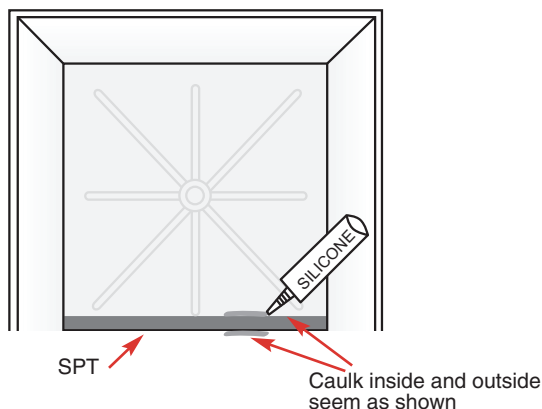


FIGURE 4

