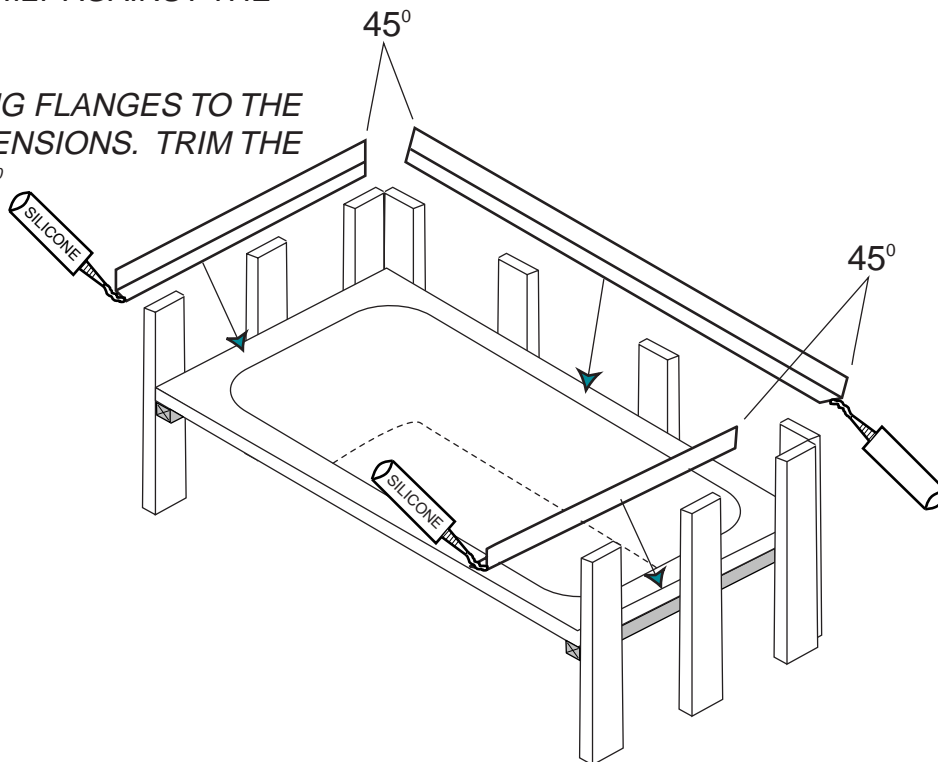




FIELD INSTALLED PVC TILING FLANGE INSTALLATION INSTRUCTIONS

1. INSTALL BATH MAKING SURE ALL SIDES REST FIRMLY AGAINST THE STUDS.

2. CUT THE TILING FLANGES TO THE REQUIRED DIMENSIONS. TRIM THE CORNERS AT 45°



3. APPLY SILICONE UNDERNEATH EACH STRIP AND PUT IN PLACE.

4. FASTEN ALL OF THE FLANGES USING SCREWS OR NAILS AND CAULK ALL FLANGES.

